

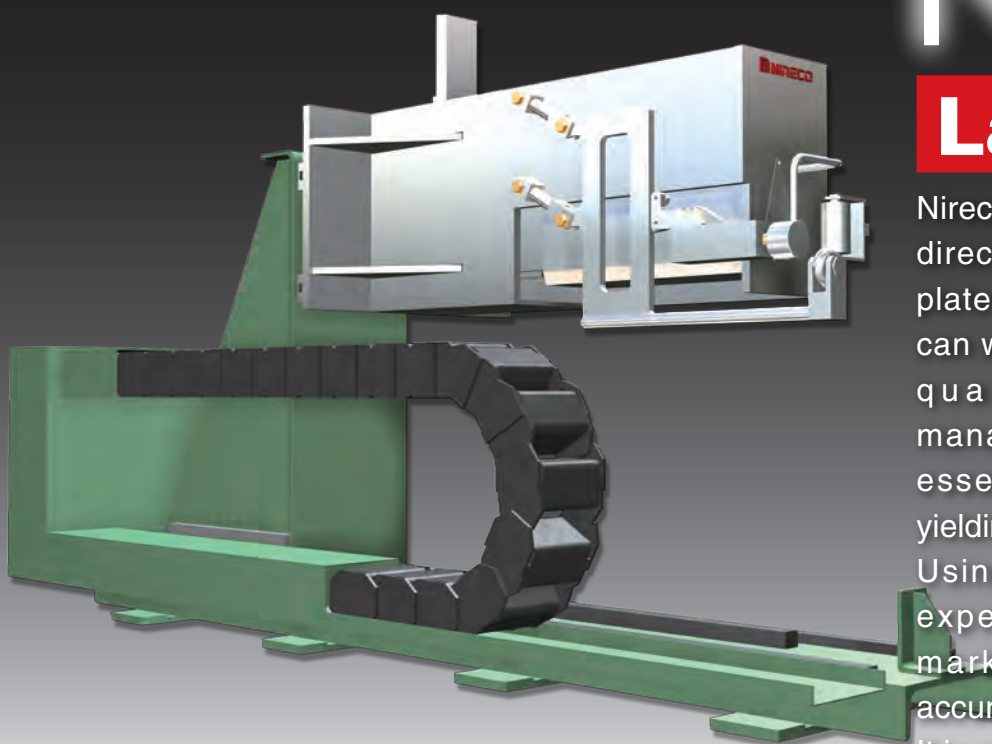
For billets, bars, pipes and thick plates

Laser Marking System

Laser marker for even higher production efficiency

NRC-01

Laser Class 4



Nireco's laser marking system can mark directly onto the sides or ends of thick plates moving on the production line. It can write text information necessary for quality control and inventory management, and barcodes that are essential for logistics management, yielding major cost reductions.

Using our abundant experience and expertise in the steel industry, this marking system marks quickly and accurately, on hot metal or on cold metal. It is also highly environmentally stable, for dependable long-term use.

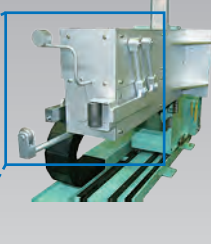
Features

- Handles all surface states.
- Writes on all casting surface irregularities.
- Harmless, water-soluble ink.
- Newly-developed surface coat application nozzle eliminates ink blockages.
- Low laser marker running cost – just surface coat and electricity.
- High printing speed allows instant marking.
- Prints regular, 2D, RSS and other types of barcode.
- Prints on hot materials at up to 900°C, as standard.

Component devices



Main marking body



Control panel

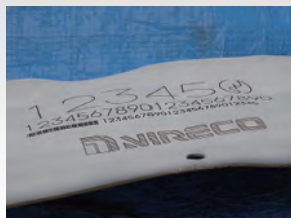


Ink supply unit

Print samples



Thick plate



Aluminum



Pipes



Steel elements $\phi 21$

Specifications & Comparison table

Target material specifications

Temperature	Room temperature ~ 900°C
Irregularities	OK
Surface state	OK

Print specifications

Text size	2mm~
Minimum line thickness	0.002mm~
Color	Surface coat color, white etc.
Print speed (4.5h)	50 chars (H4.5mm)/ 3.5s
Depth of focus	10mm
Basic print range (with head fixed)	105mm x 105mm
Print speed when moving	100mm/sec

System specifications

Laser specification	CO2 40w
Surface coat nozzle	Nireco GJ0381.0-00
Surface coat	NRC1100/850 (water soluble)

	Laser type	Inkjet	Labeling
Running cost	Surface coat only Cheap	Surface coat + ink, cleaning fluid etc. Expensive	Expensive at both normal and high temperatures
Character size	Variable according to steel thickness	Constant at the initial value	Label size is fixed
Printed images	High contrast ratio due to carbonization of surface coat	Printing over surface coat gives low contrast	Relatively good
Handling of warpage	Laser irradiation position control allows marking to track the form of the plate	Only handles inclination	Only handles inclination

We reserve the right to change the specifications in this catalog without prior notice to improve and update our products.



NIRECO CORPORATION

●Kyobashi Office

Kyobashi 1-chome Bldg., 1-13-1, Kyobashi, Chuo-ku, Tokyo, 104-0031, Japan
Telephone : +81-3-3562-2201 Facsimile : +81-3-3564-4316

●Hachioji Office

2951-4, Ishikawa-machi, Hachioji, Tokyo, 192-8552, Japan
Telephone : +81-426-60-7409 Facsimile : +81-426-45-7737
Website : www.nireco.com E-mail: info@nireco-web.com